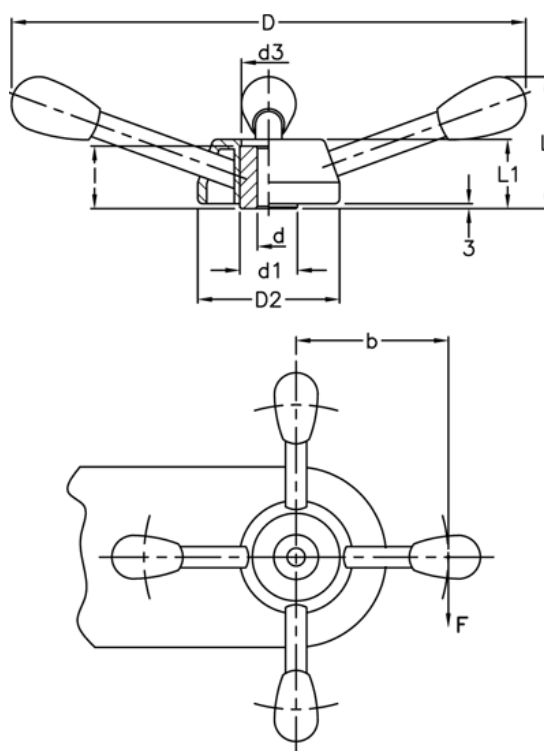


Article number: 2301065901
 Description: E+G Handwheel
 VBR.4/200

Measures



$$C[N \cdot m] = F[N] \cdot b[m]$$

C (N m)	= 195	L1 = 42
D	= 200	
d1	= 35	
D2	= 86	
d3	= 34	
d H9	= 10	
l	= 38	
L	= 60	